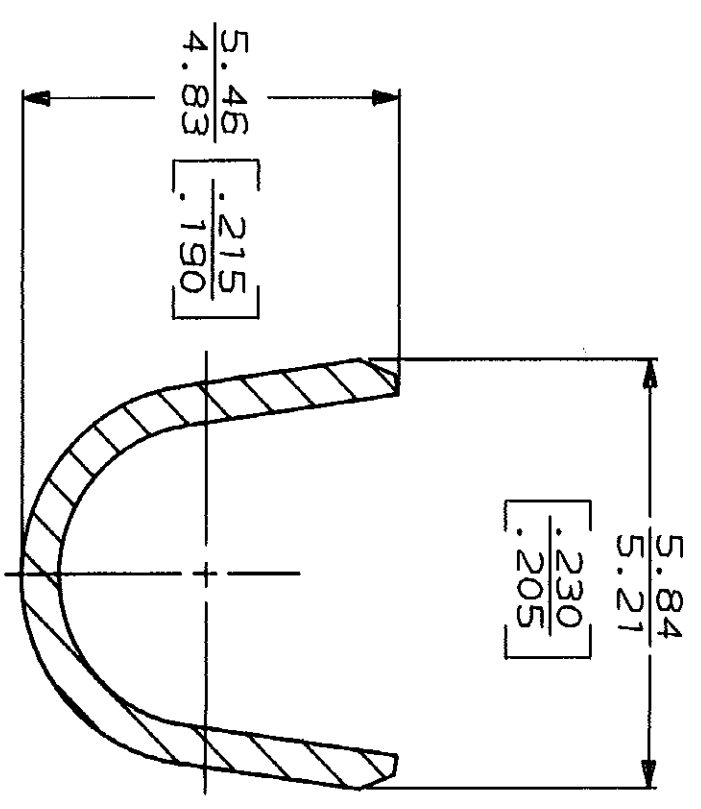
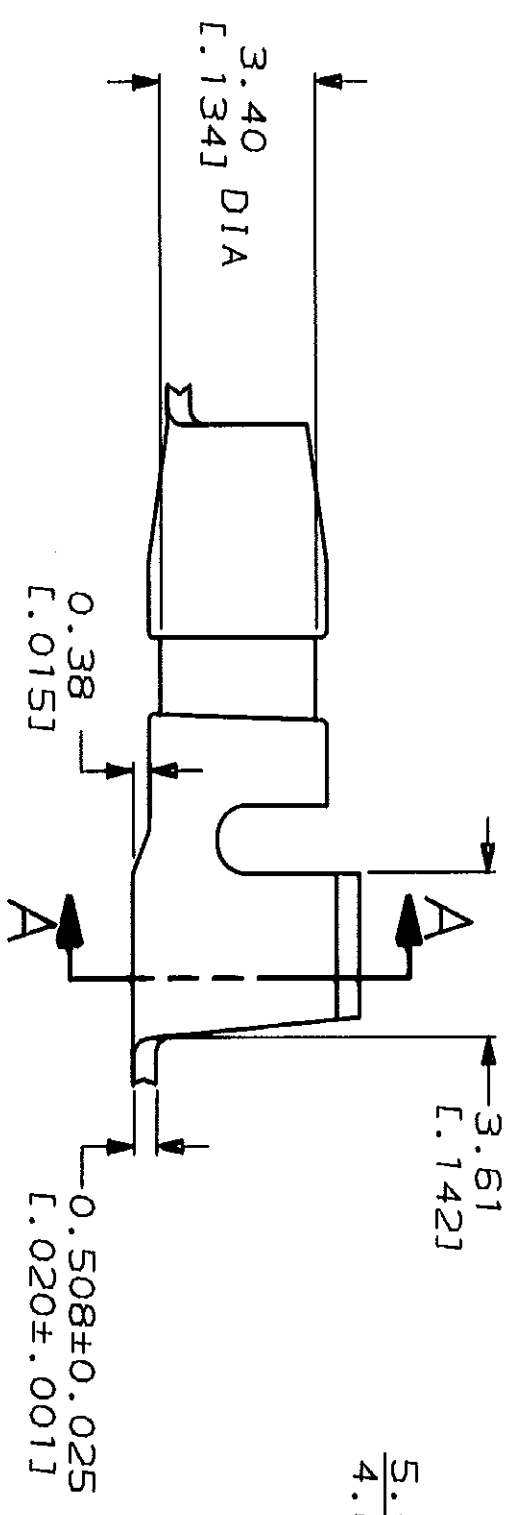
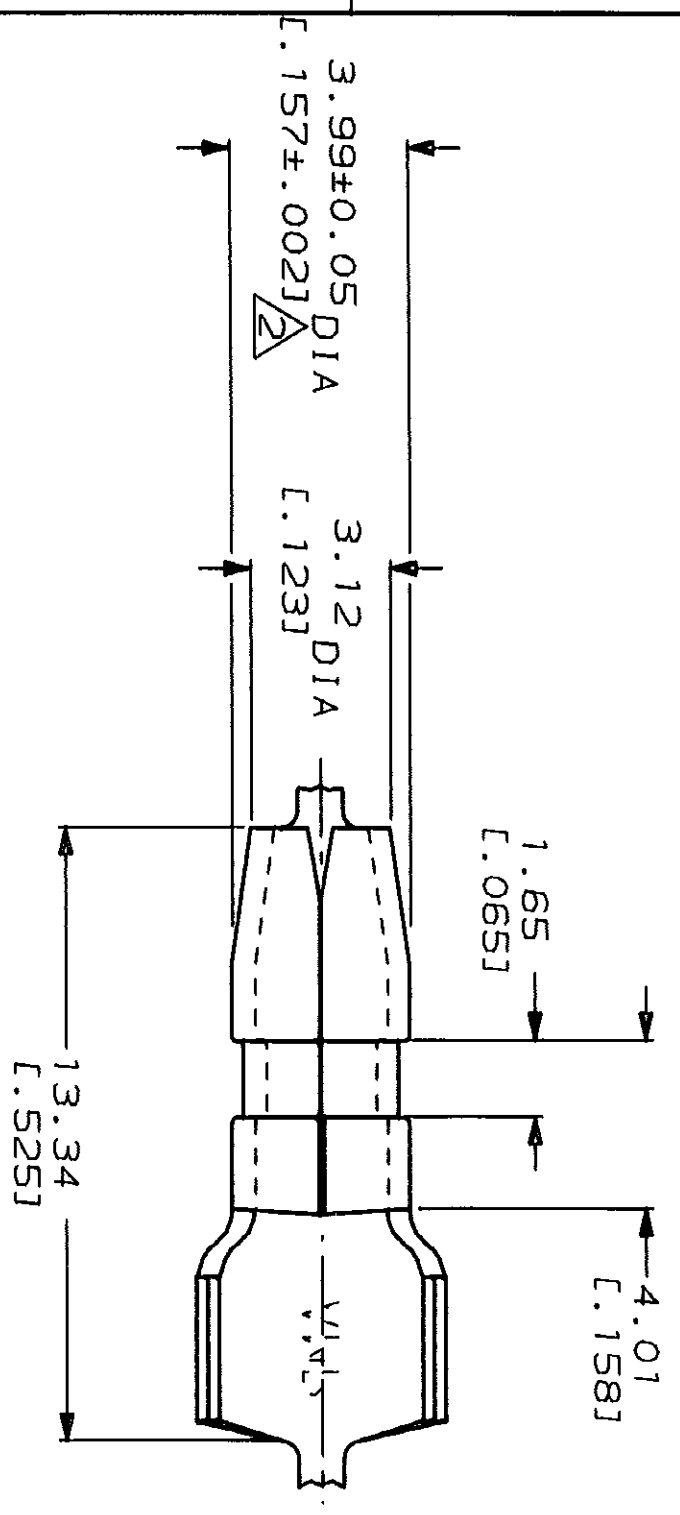


THIS DRAWING IS UNPUBLISHED. RELEASED FOR PUBLICATION BY AMP INCORPORATED. ALL INTERNATIONAL RIGHTS RESERVED.

LOC	DIST	P	F	ZONE	LTR	REVISIONS	DESCRIPTION	DATE	APPO
AF	50				A		REDRAWN PER AF-6810	7/24/90	PF/JR



SECTION A-A
SCALE 10:1

- 1 CONTINUOUS STRIP ON REELS
- 2 TO BE HELD AFTER CRIMPING

3.18-4.06 DIA [L.125-.160]	0.8mm ² -2.0mm ² [18-14] AWG	41698
----------------------------	----------------------------------------------------	-------

INSULATION RANGE	WIRE RANGE	PART NO
------------------	------------	---------

DO NOT SCALE PRINT. UNLESS SPECIFIED DIMENSIONS IN INCHES! TOLERANCES ON: 2 PLC DEC ± 0.38 [L.015] 3 PLC DEC ± - ANGLES ± -	DR 7/23/90 P FORNEY	<p>AMP Incorporated Harrisburg, PA 17105-3608</p>
MATERIAL: #2 HARD BRASS	CHK 7/23/90 JR RUTH	
FINISH: 0.03302 [L.000130] MAX PRE-TIN PER MIL-T-10727	APPD 7/23/90 S VETTER	
	APPD 7/23/90 R KUDO	
	PRODUCT SPEC	NAME: SHUR PLUG, 3.98 [L.156] DIA
	APPLICATION SPEC	SIZE: B
	WEIGHT	CAGE CODE: 00779
		DRAWING NO: 41698
		SCALE: 6:1
		SHEET: 1 OF 1

METRIC

CUSTOMER DRAWING